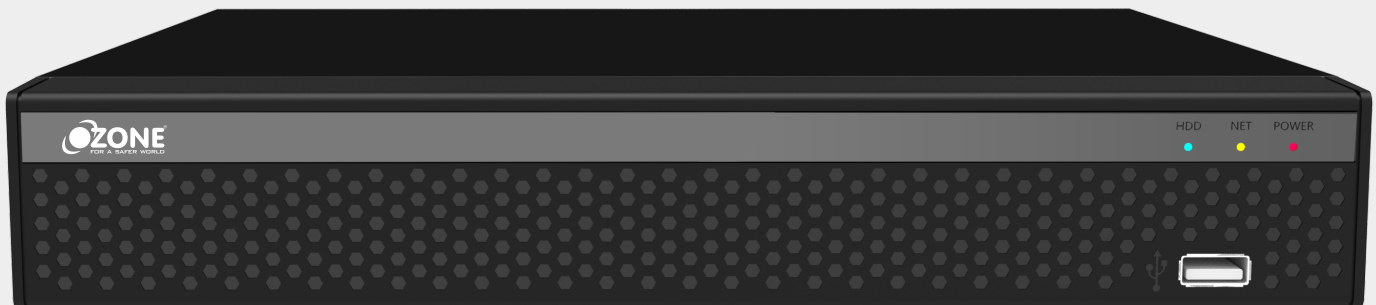


16 CHANNEL DVR



OAR216C8MS2

8MP / 5MP / 4MP / 3MP / 1080P / 720P HD DVR



AHD/TVI/CVI
CVBS/IP



4K Output



DDNS



Network



PTZ



Audio



Mic.



Smartphone



CMS



USB



Mouse



E-mail



OAR216C8MS2

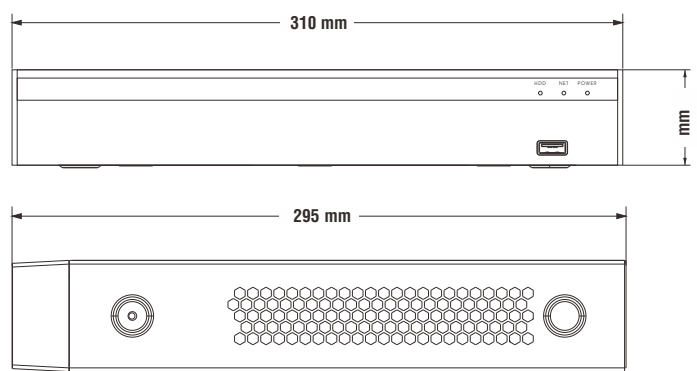
8MP / 5MP / 4MP / 3MP / 1080P / 720P HD DVR

SPECIFICATIONS

Model	OAR216C8MS2
System	
Operating System	Embedded LINUX
Video	
Input	Analog: 16 CH (AHD/TVI/CVI: 8MP; TVI/AHD: 5MP; AHD/TVI/CVI: 4MP; AHD/TVI: 3MP; AHD/TVI/CVI: 1080P/720P; Analog: 960H) Analog+Network: 14 CH Analog+2 CH network(Max 8MP), 12 CH Analog+4 CH network(Max 8MP), 10 CH Analog+6 CH network (Max 8MP), 8 CH Analog+8 CH network(Max 8MP), 6 CH Analog+10 CH network(Max 8MP), 4 CH Analog+12 CH network(Max 8MP), 2 CH Analog+14 CH network(Max 8MP) Network: 32 CH network(Max 8MP) (Total incoming bandwidth ≤160M)
Input Interface	16 CH BNC
Signal Type	Analog/AHD/CVI/TVI 2.0/TVI 3.0/Network
Output	1 HDMI, 1 VGA
Audio	
Input	6 Channel RCA
Two-way Audio	No
Output	1 Channel RCA
Alarm	
Sensor Input	4 Channel
Output	1 Channel
Motion Detection	16 Channel(max 32 Channel in pure network mode)
Trigger Events	Recording, Email, Screen tips, Buzzer, Push notifications (motion detection)
Email Alarm	Send Image to designated E-mail id(s)
PTZ	
Interface	RS-485
Protocol	Pelco-D, Pelco-P
Baud Rate	110~921600
Address	0~255
Display	
VGA Output	Resolution: 1920 × 1080/60Hz, 1280 × 1024/60Hz
HDMI Output	Resolution: 3840×2160/30Hz, 2560×1440/30Hz, 1920 × 1080/60Hz, 1280 × 1024/60Hz
Display Split	36 Channel / 25 Channel / 16 Channel / 9 Channel / 8 Channel / 4 Channel / 1Channel
Privacy Masking	3 Rectangular Zones (Each camera)
OSD	Camera title, Time, Video loss, Alarm, Motion detection and Recording
Recording	
Video Compression	High/Standard Video Compression
Audio Compression	G.711u
Resolution	8MP(3840×2160), 5MP(2592×1944), 4MP(2560×1440), 3MP(2048×1536), 1080P(1920×1080), 720P(1280×720), 960H(P:960×576/N:960×480)
Record Rate	Analog: PAL: 8MP(3840 × 2160 16 CH @ 8fps), 5MP(2592 × 1944 16 CH @ 12fps), 4MP(2560 × 1440 16 CH @ 15fps), 3MP (2048 × 1536 16 CH @ 18fps), 1080P (1920×1080 16 CH @ 25fps), 720P (1280×720 16 CH @ 25fps), 960H (960×576 16 CH @ 25fps) Pure IP (High Video Compression): PAL: 8MP(17 CH @ 25fps), 5MP (26 CH @ 25fps), 4MP (32 CH @ 25fps), 3MP (32 CH @ 25fps), 1080P (32 CH @ 25fps), 960P (32 CH @ 25fps), 720P (32 CH @ 25fps), D1 (32 CH @ 25fps)
Record Mode	Manual\Scheduled\Motion Detection

Playback & Backup	
Decode Capability	3CH 8MP@30fps
Sync Playback	Pure Analog: 16CH 8MP@8fps, 16CH 5M@12fps, 16CH 4M@15fps, 16CH 3M@18fps, 16CH 1080p@30fps Pure IPC: 3CH 8MP@30fps, 4CH 5M@30fps, 6CH 4M@30fps, 8CH 3M@30fps, 9CH 1080P@30fps, 9CH 960P@30fps, 9CH 720P@30fps
Remote Playback	4 Channel/1 Channel
Search Mode	ALL, Channel, Manual, Time, Date, Motion Detection
Playback Functions	Play, Pause, Stop, Fast play, Rewind, Digital Zoom, Full screen
Smartphone Playback	4 Channel
Backup Mode	USB Device(with format FAT 32)/Network
Network	
Interface	1 RJ45 10M/100M/1000M Adaptive Ethernet Interface
Network Functions	TCP/IP, HTTP, UPnP, DNS, NTP, SMTP, PPPoE, DHCP, FTP, DDNS, RTP, RTSP and RTCP
DDNS	Dyndns, changeip, no-ip, Oray, A-PRESS, MYQSEE, SKDDNS, SMART-EYES and ZEBEYE
Web Browser	IE8-11, Google Chrome (lower than Ver44), Firefox (lower than Ver53)
CMS Software	Supports Windows 7/Windows 8/Windows 10
Extra Stream	D1/CIF(1~30fps)
Smartphone	iOS and Andriod
Hard Disk Driver	
Interface Type	2 SATA Interface
Capacity	2 SATA Hard Disk (2.5"/3.5" SATA, Up to 16TB)
General	
Language	English, Polish, Czech, Russian, Thai, Hebrew, Arabic, Bulgarian, Farisa German, French, Portuguese, Turkic, Spanish, Italian, Hungarian, Romanian, Korean, Dutch, Greek and Chinese
UTC Control	Yes
USB Interface	2 USB 2.0
Power consumption	DC 12V≤ 10W (Without Hard Disk)
Working Environment	-10~55 °C/10~90%
Dimension (W×D×H)	310*295*46(mm)
Weight	3.5kg (Without HDD)

DIMENSIONS



OZONE SECUTECH PRIVATE LIMITED

Operations Office : Plot No. 548, Udyog Vihar Phase V, Gurugram, Haryana, 122016

Email : customercare@ozonesecutech.com | Website : www.ozonesecutech.com